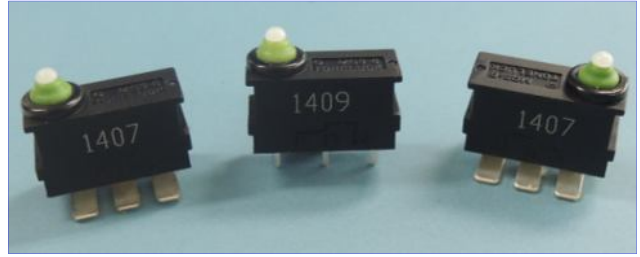


Specifications

Electrical Rating	10~50mA 12~24 VDC 250,000 cycles Min.
Operating Temp:	-40°C to +85°C
Mechanical Life:	500,000 cycles Min.
Contact Resistance:	50mΩ Max. (initial)
Operating Force:	150gf Max.
Insulation Resistance:	100ΩM Min.
Dielectric Strength:	500VAC for 60 ± 5 sec.
Housing:	UL 94 HB Thermoplastic (Base) UL 94 HB Thermoplastic (Cover)



Series	IP Protection			
	Actuation Side	Terminal Side	OF	OP
MQS-62	IP 67	IP 00	150 gf Max.	6.85±0.20mm(3.45±0.20mm no location pin)
MQS-63	IP 67	IP 67	150 gf Max.	6.85±0.20mm(3.45±0.20mm no location pin)
MQS-64	IP 68	IP 68	150 gf Max.	6.85±0.20mm(3.45±0.20mm no location pin)
MQS-65	IP 68	IP 68	150 gf Max.	6.20±0.20mm(3.45±0.20mm no location pin)

Ordering Instructions

MQS 62 1 A A 0 0 - 01

Model

- MQS-62 Version
- MQS-63 (MQS-62 with wire IP67)
- MQS-64 (MQS-62 with wire IP68)
- MQS-65 (with wire & with PCB IP68)

Circuit & Ratings

- 1 = 10~50mA/12~24VDC SPDT
- 2 = 10~50mA/12~24VDC SPST-NO
- 3 = 10~50mA/12~24VDC SPST-NC

Position Pins

- | | | |
|---|-------------------------------|-----------------------------|
| A= Side A; Length: 2.5mm | F= Both Sides; Length: 5.0mm | L= Side A; Length: 1.7mm |
| B= Side B; Length: 2.5mm | G= Both Sides; Length: 1.7mm | M= Side B; Length: 1.7mm |
| C= Both Sides; Length: 1.7mm+Underside slot | H= Both Sides; Length: 2.5mm | N= No Location Pin |
| D= Side A; Length: 5.0mm | J= No Location Pin With Lever | P=Both Sides; Length: 2.5mm |
| E= Side B; Length: 5.0mm | K= Both Sides; Length: 1.5mm | |

Terminal Type

- | | | |
|------------------------------|------------------------------------|--|
| A= Angled PCB pins, Side A | E= Straight Solder terminals | K= Interlock terminal, side B |
| B= Angled PCB pins, Side B | G= Angled Solder terminals, Side A | Q=Quick plug terminal |
| C= Straight PCB pins | H= Angled Solder terminals, Side B | W=Wires Specification: eg.W1,W2,W3,etc |
| D= Straight crimped pcb pins | J= Interlock terminal, side A | |

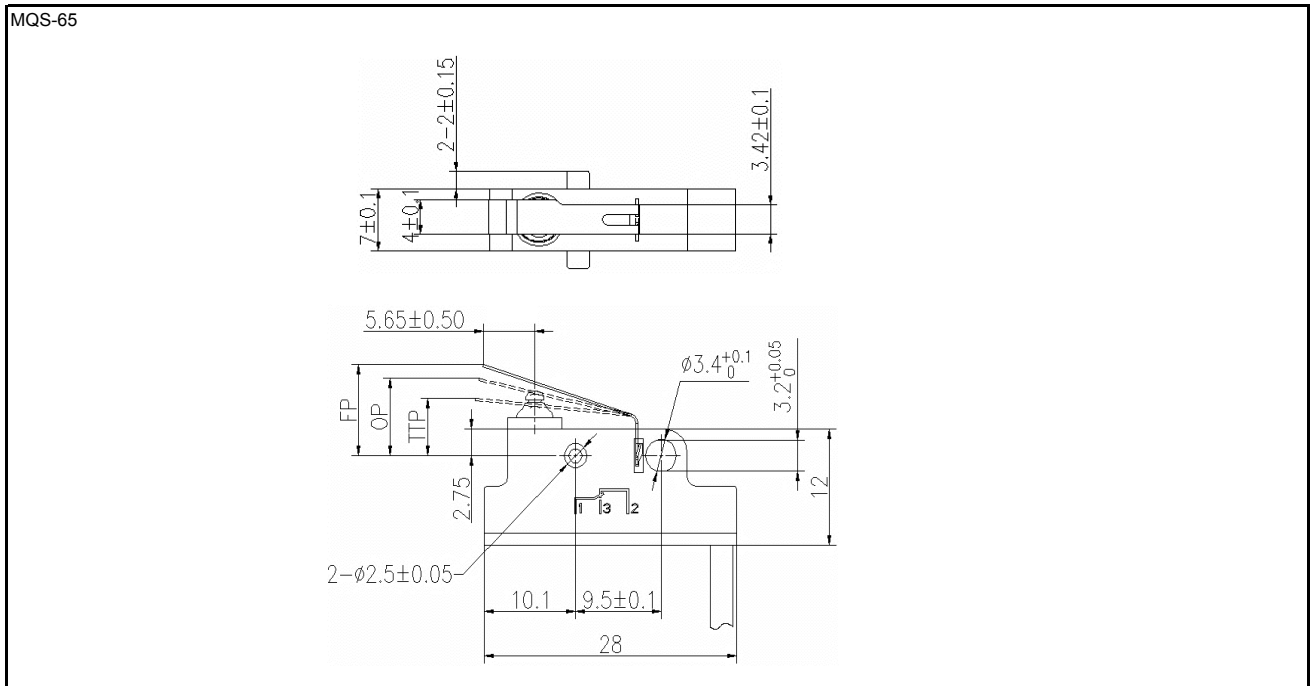
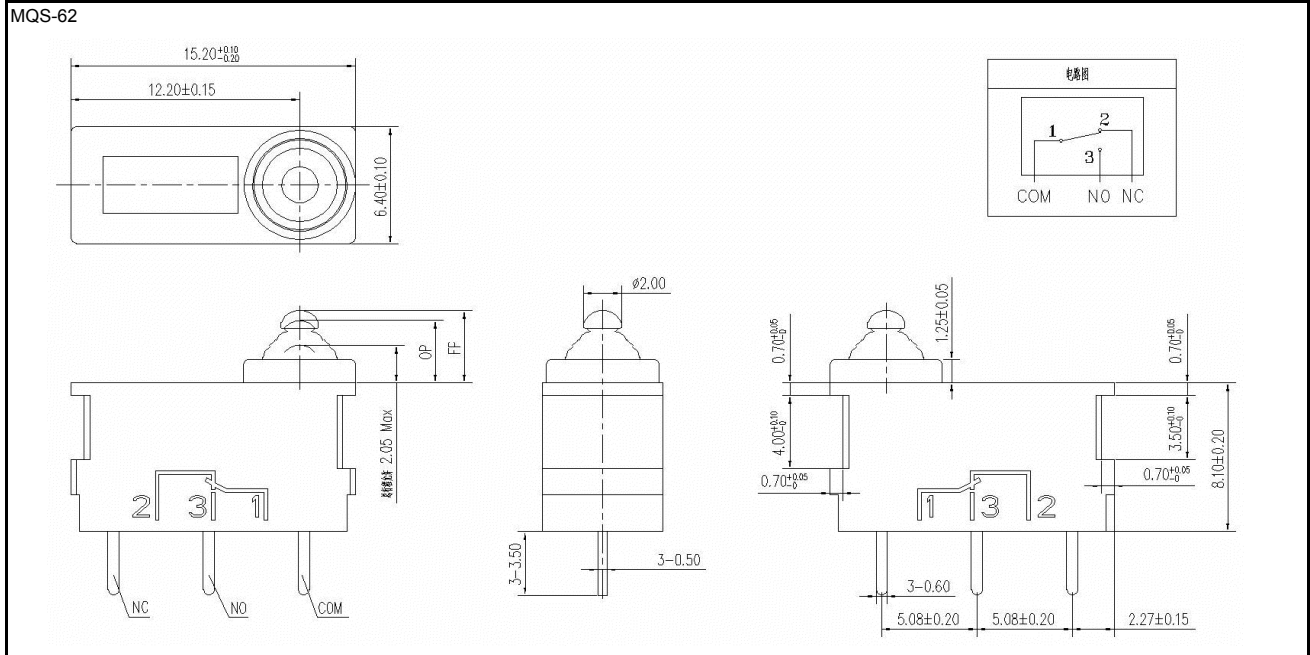
Lever Type

00,01,02,03 ...P1(Metal button) (00 = No lever)

Versions

- 01: Standard Specification
- A2:IP68 at the terminal side
- A3:40T125(change Batton)

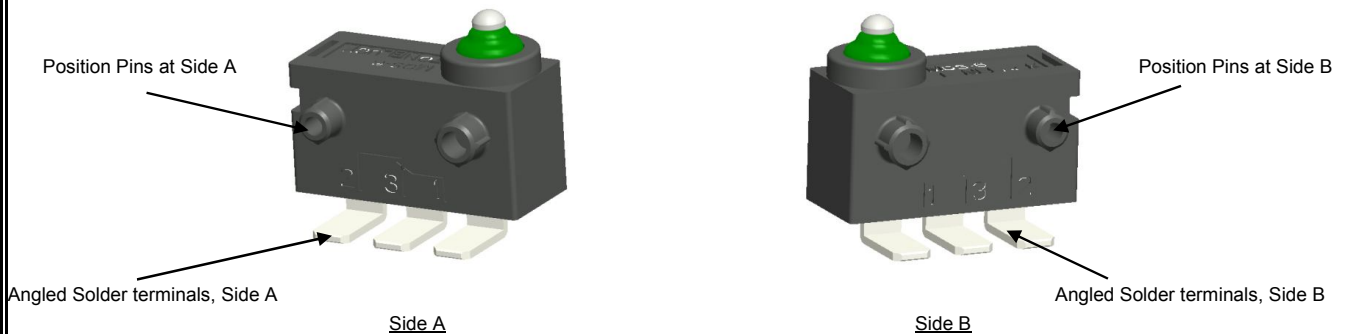
Basic Dimensions



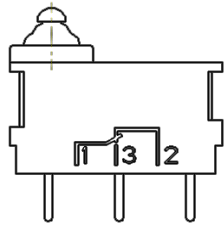
Common Characteristics

Movement Differential: 0.3 mm max.

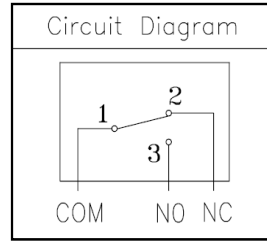
Over-travel Distance: 1.3mm min.



Circuit

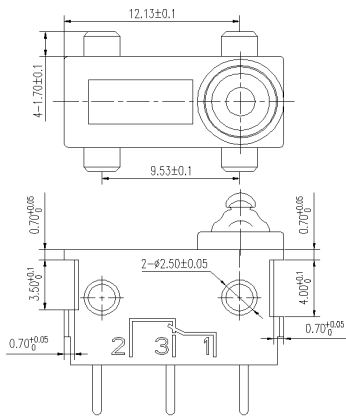


1: COM 3: NO 2: NC

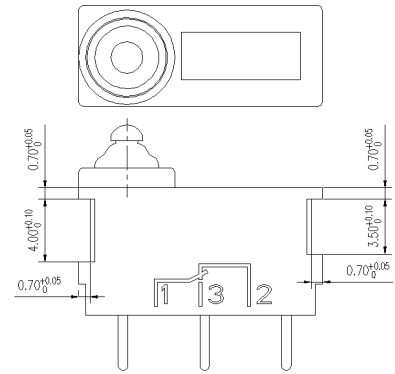


Position Pins

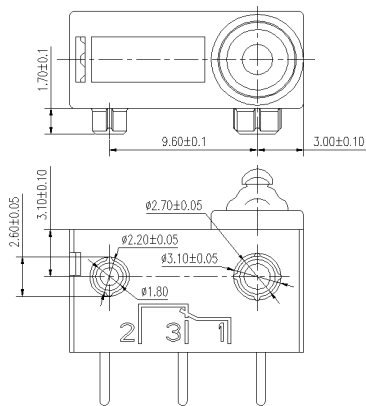
Type C: Both Sides; Length: 1.7mm



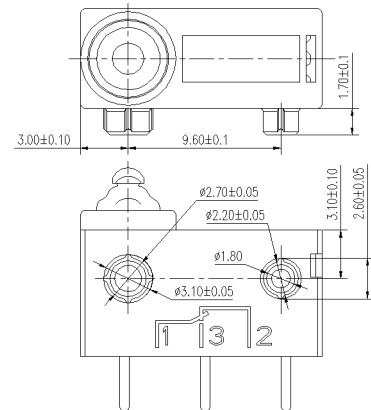
Type N: No Location Pin



Type L: Side A; Length: 1.7mm

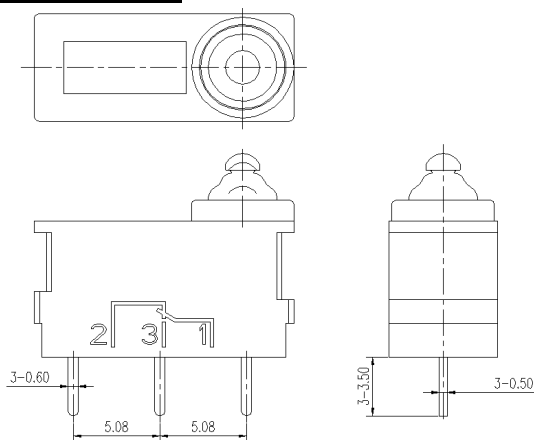


Type M: Side B; Length: 1.7mm

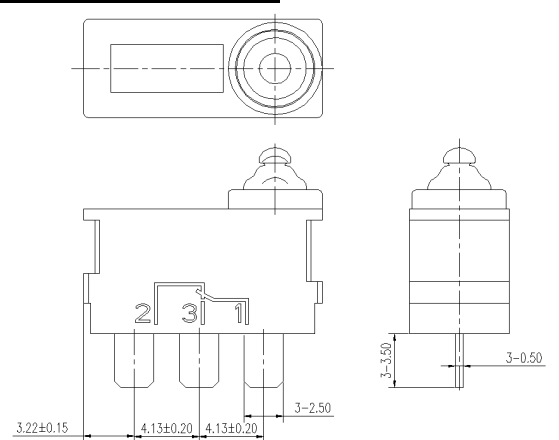


Terminal Type

Type C: Straight PCB Pins

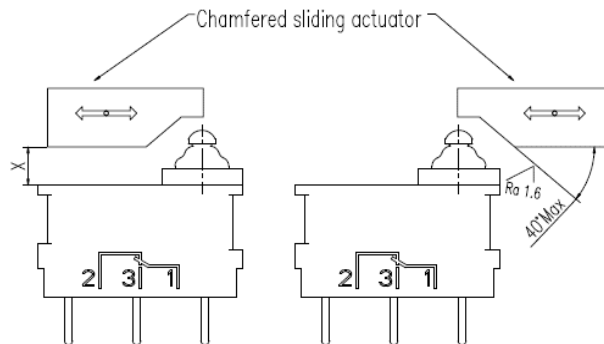


Type E: Straight Solder terminals



Actuation Angle

Besides actuating the micro-switch vertically, the switch could be operated by cam-shaped or chamfered sliding actuators with an approximate value of max. 40° . Please refer to the technical specification for the specified conditions.



The approximate value of 40° was tested under the following conditions:

- Chamfered sliding material : POM.
- Polished chamfered sliding surface, greased with lubricant oil .
- Operation frequency :30 cycles per minute.
- Operating travel until permissible end position measure "X"(see switch drawing).