

Specification

Electrical rating	1~100mA/5~12VDC, 40T85
Electrical Life	300,000 cycles
Mechanical Life	500,000 cycles
Contact Resistance:	500mΩ Max. (initial)
Operating Force:	100 ±50gf
Insulation Resistance	100 MΩ Min.
Dielectric Strength	500VAC for 60 ± 5 sec.
Housing	UL94 V-0



IP Protection

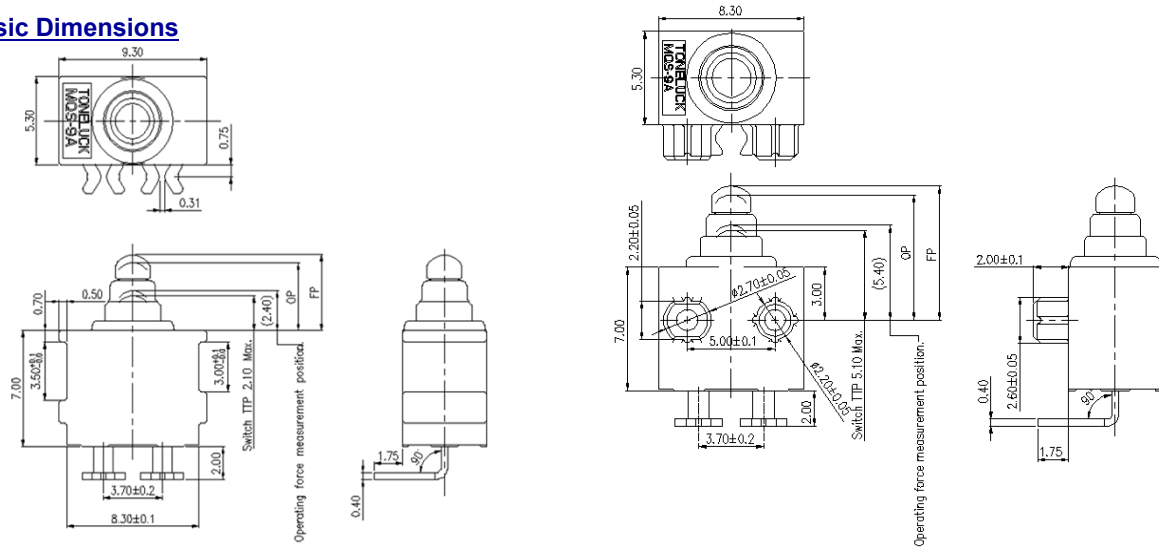
Series	Actuation Side	Terminal Side	OF	OP
MQS-9A	IP 67	IP00	50 - 150 gf	4.1±0.2mm

Ordering Instruction

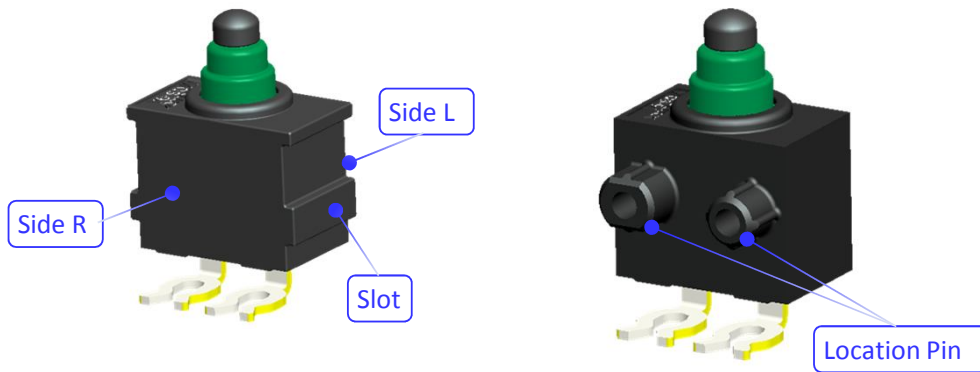
MQS-9A	1	N	A	-	01
--------	---	---	---	---	----

Series	MQS-9A
Electrical rating	1=1~100mA/5~12VDC,SPST NO 2=1~100mA/5~12VDC,SPST NC
Location Pin	A = Side L, 0.7mm B = Side R, 0.7mm C = Both Sides, 0.7mm D = Side L, 2.0mm E = Side R, 2.0mm(NO) F =Side R, 2.0mm(NC) G = No Location Pin N= Slot H=Laser welding Side R, 2.0mm(NO) J=Laser welding Side R, 2.0mm(NC)
Terminal Type	A=Angled PCB pins, side L B=Angled PCB pins, side R C=Straight PCB pins D=Solder terminal E=Interlock terminal,side L F= Interlock terminal,side R =Laser welding
Version	Standard Version: 01 A2:IP68 at the terminal side Custom-made:02,03,04,etc.

Basic Dimensions

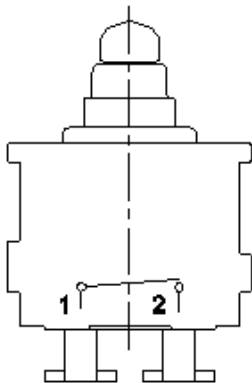


Common Characteristics

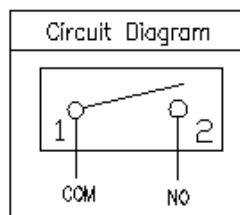


Circuit

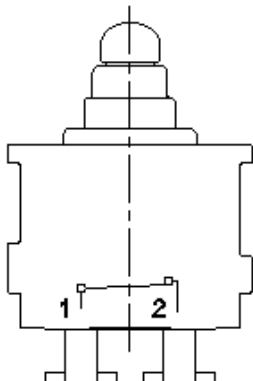
MQS-9A1XX-XX



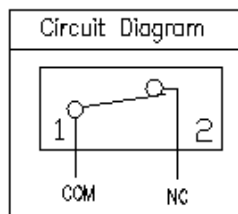
Normal Open



MQS-9A2XX-XX

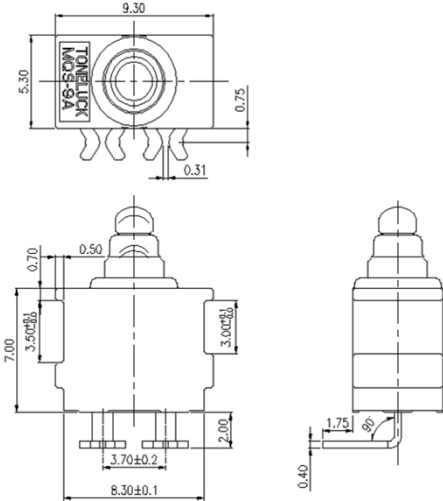


Normal Close

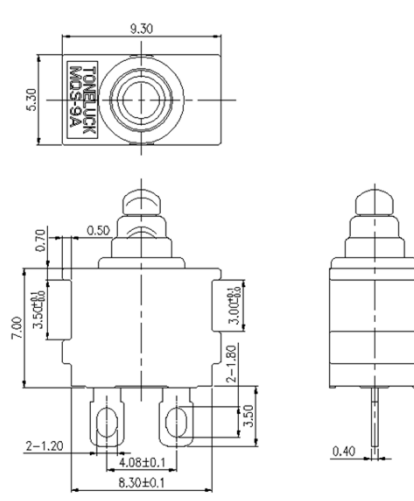


Outline

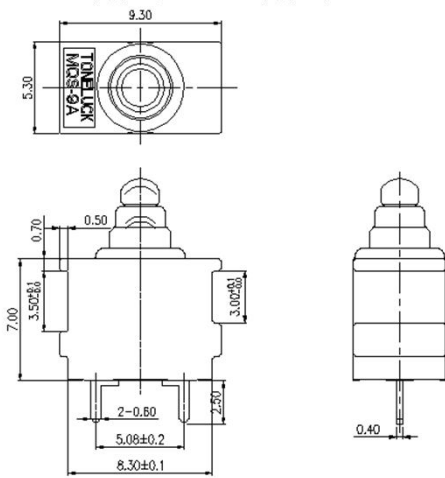
Location Pin(Type N)、Terminal(TypeF)



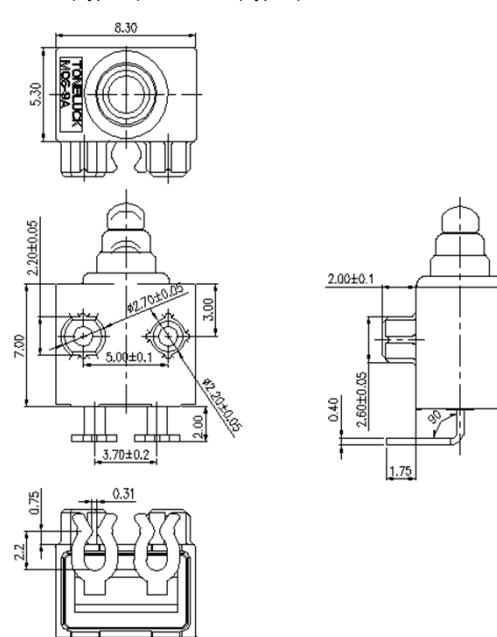
Location Pin(Type N)、Terminal(TypeD)



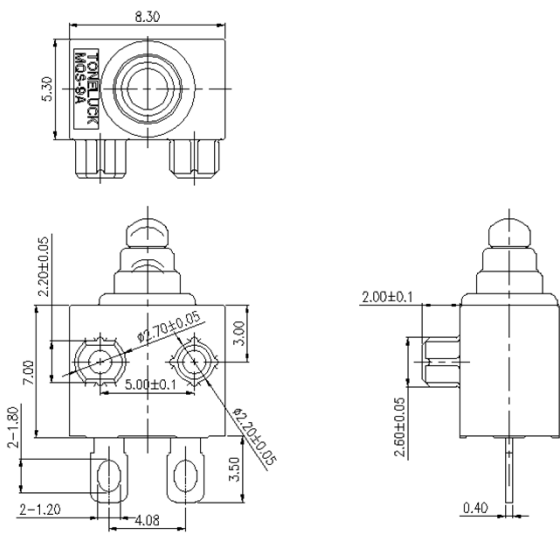
Location Pin(Type N)、Terminal(TypeC)



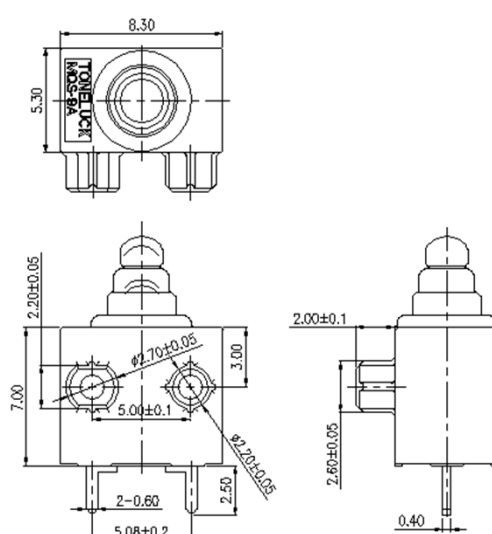
Location Pin(Type E)、Terminal(TypeF)



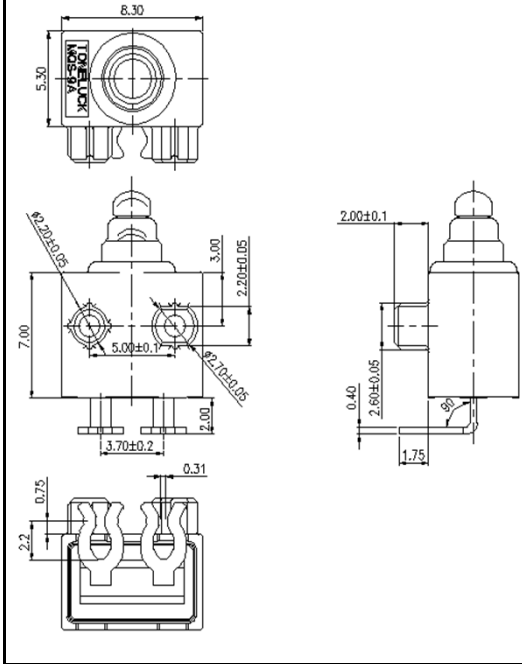
Location Pin(Type E)、Terminal(TypeD)



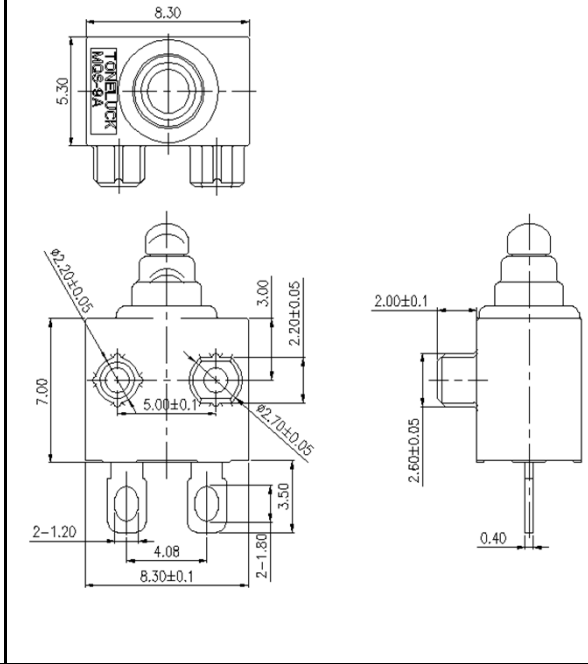
Location Pin(Type E)、Terminal(TypeC)



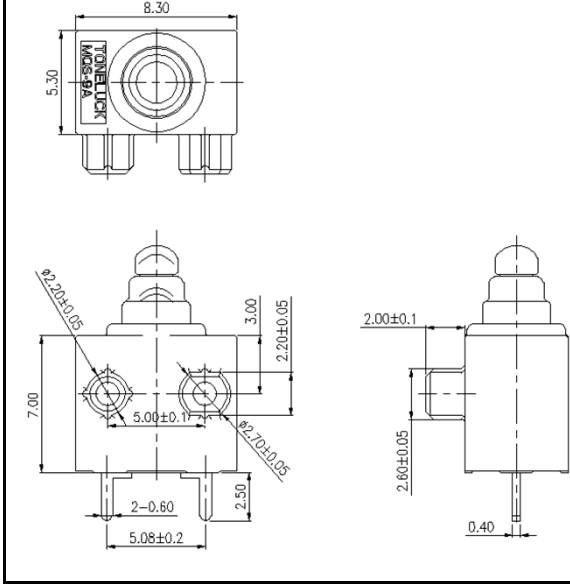
Location Pin(Type F)、Terminal(TypeF)



Location Pin(Type F)、Terminal(TypeD)

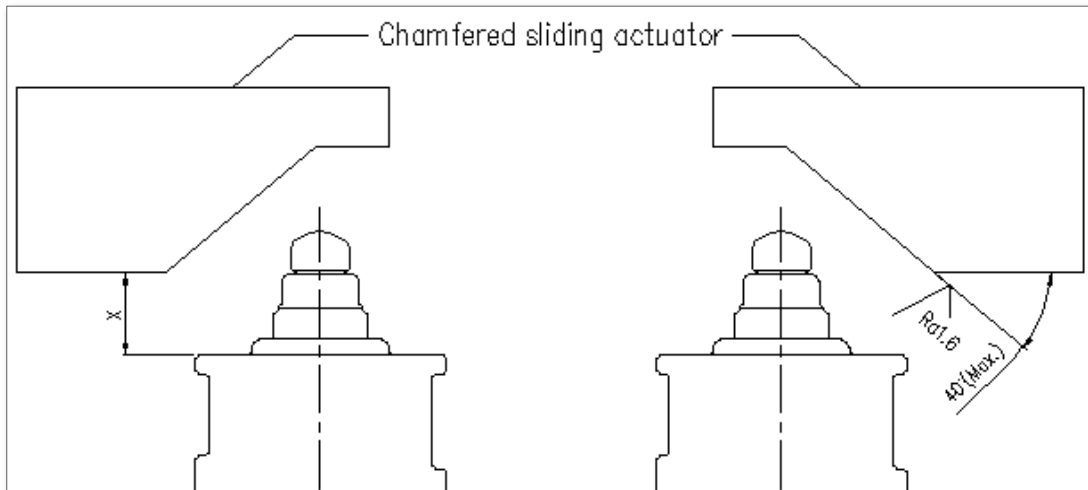


Location Pin(Type F)、Terminal(TypeC)



Actuation Angle

Besides actuating the micro-switch vertically, the switch could be operated by cam-shaped or chamfered sliding actuators with an approximate value of Max. 40°. Please refer to the technical specification for the specified conditions.



The approximate value of 40° was tested under the following conditions:

- Chamfered sliding material : POM.
- Polished chamfered sliding surface, greased with lubricant oil .
- Operation frequency :30 cycles per minute.
- Operating travel until permissible end position measure "X"(see switch drawing).